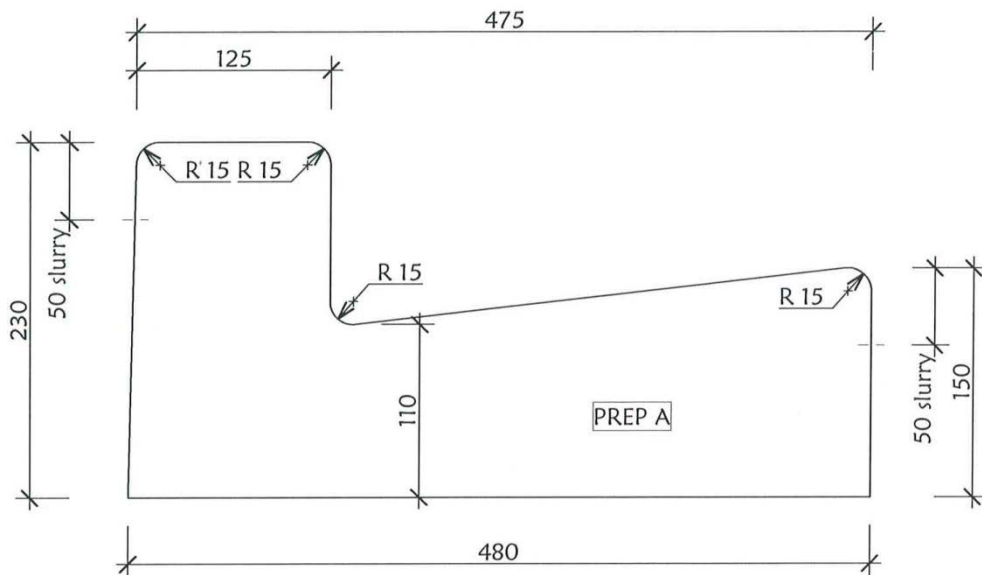


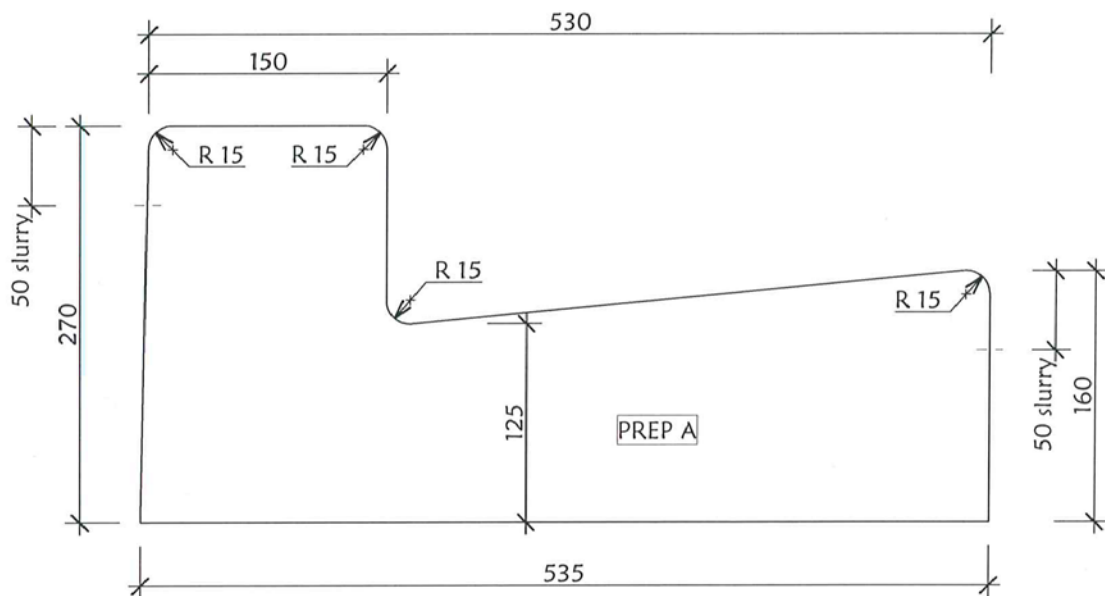
All vertical heights (with the exception of the Sloping Kerb & Channel) can be extended upon request.

All moulds can be reinforced with steel rod 50mm from the bottom upon request.

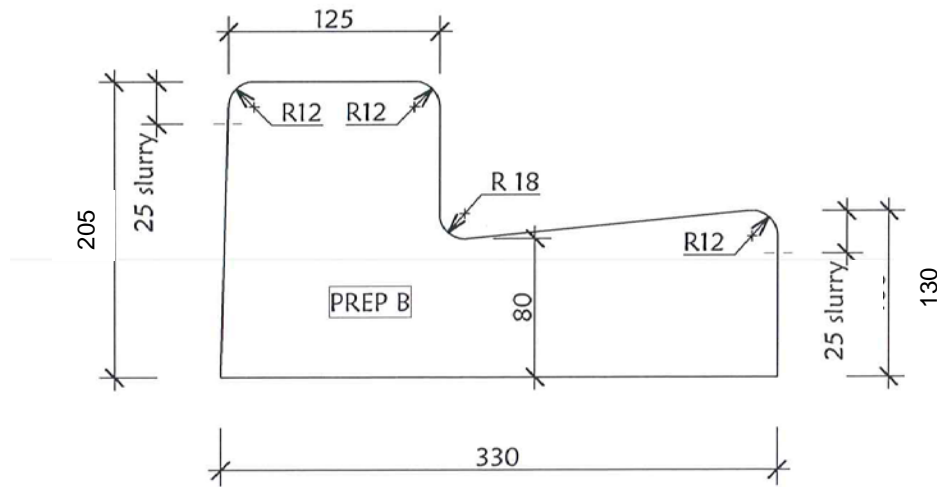
**KERB & CHANNEL – Timaru District Council**



**KERB & CHANNEL – Ashburton / Christchurch Council Mould**

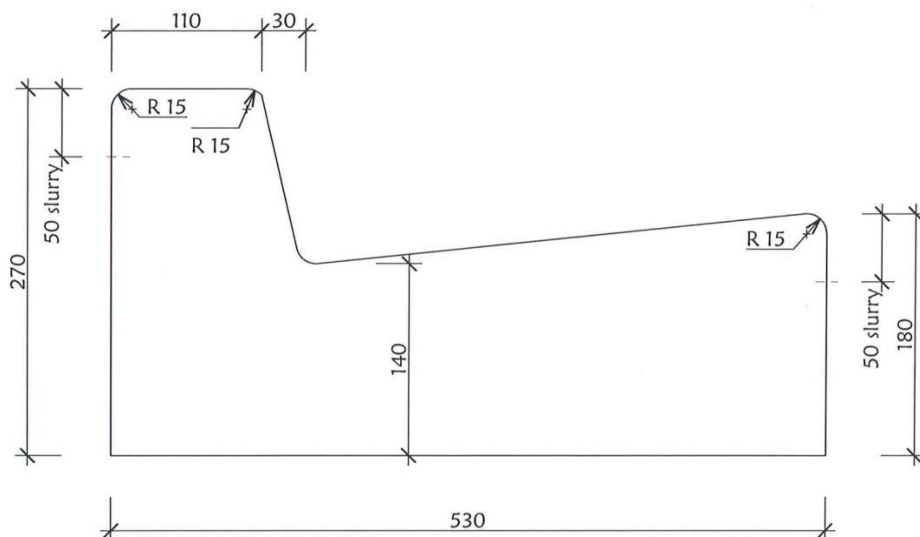


**DOMESTIC KERB & CHANNEL**

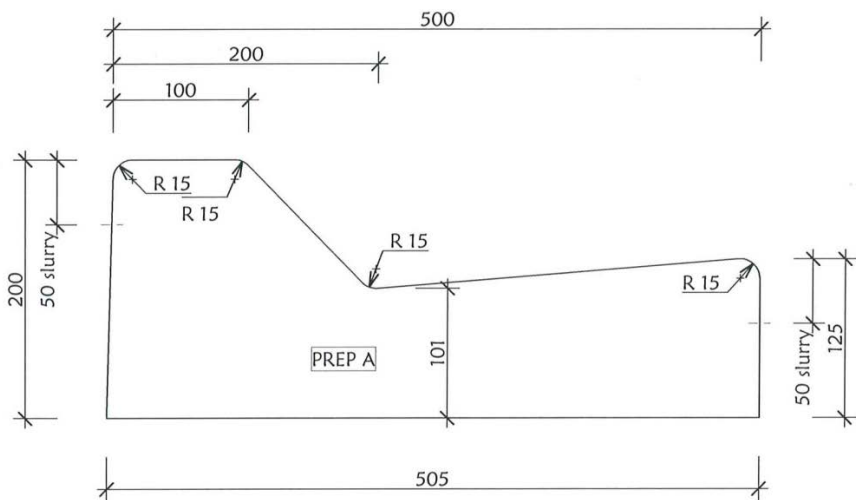


**SLOPING KERB & CHANNEL**

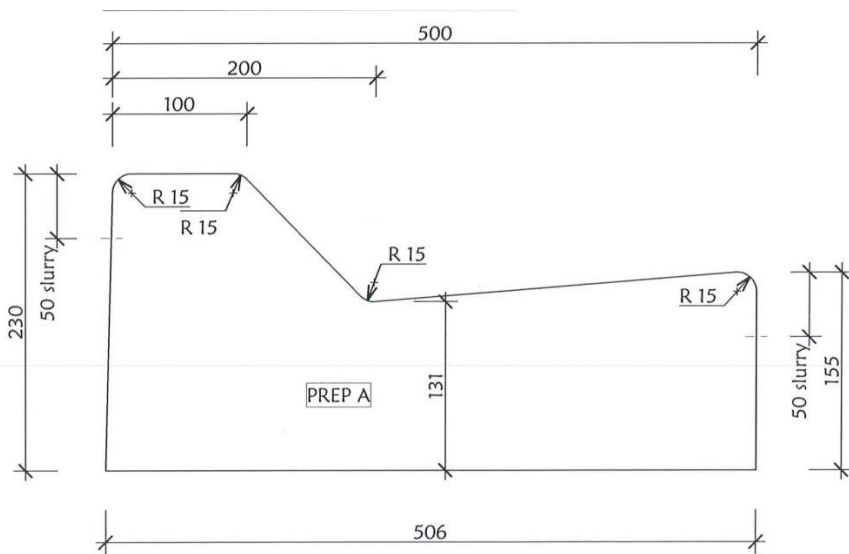
*Vertical heights are unable to be increased*



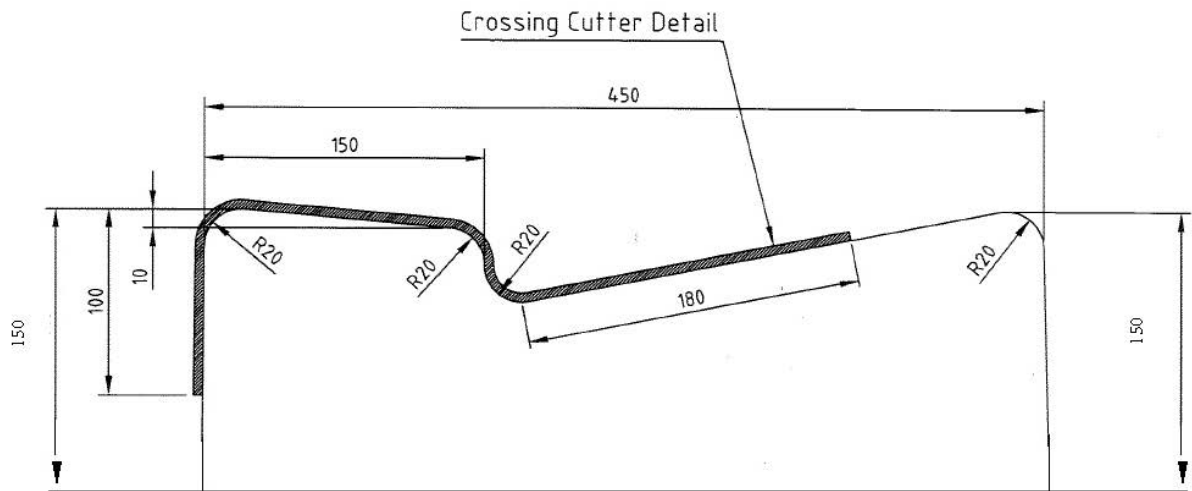
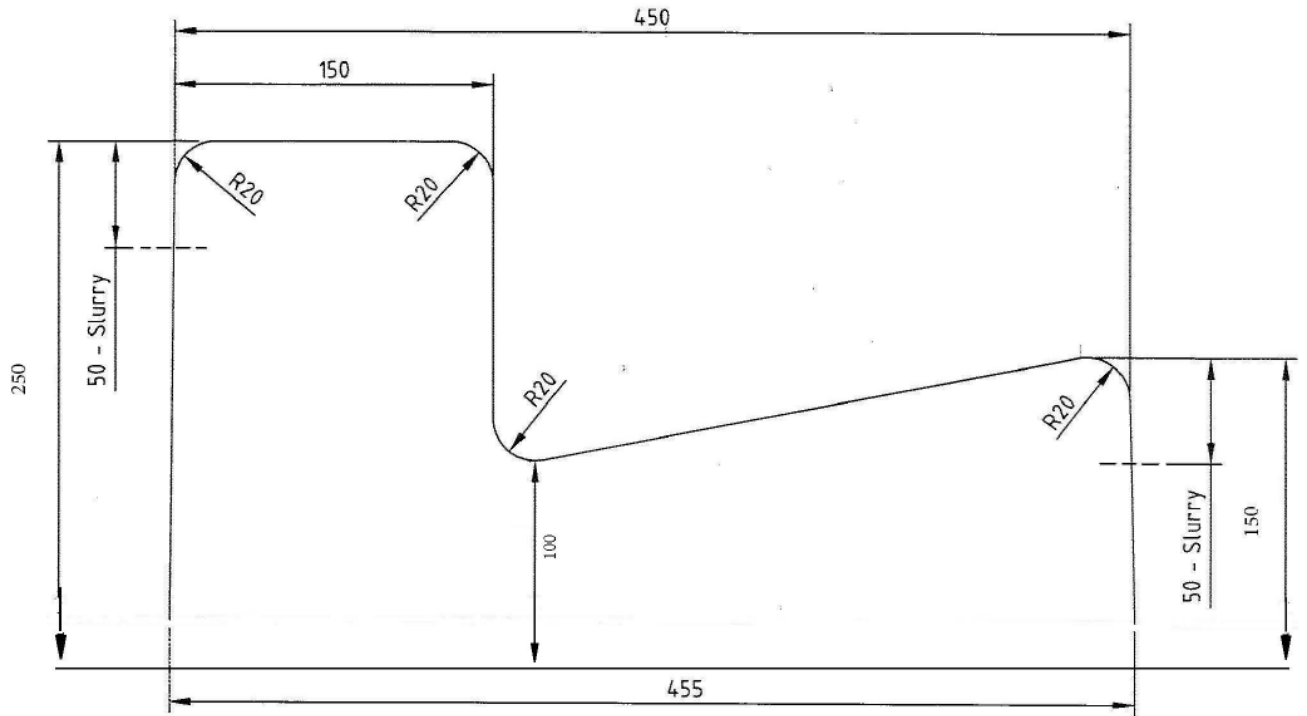
**MOUNTABLE KERB & CHANNEL**



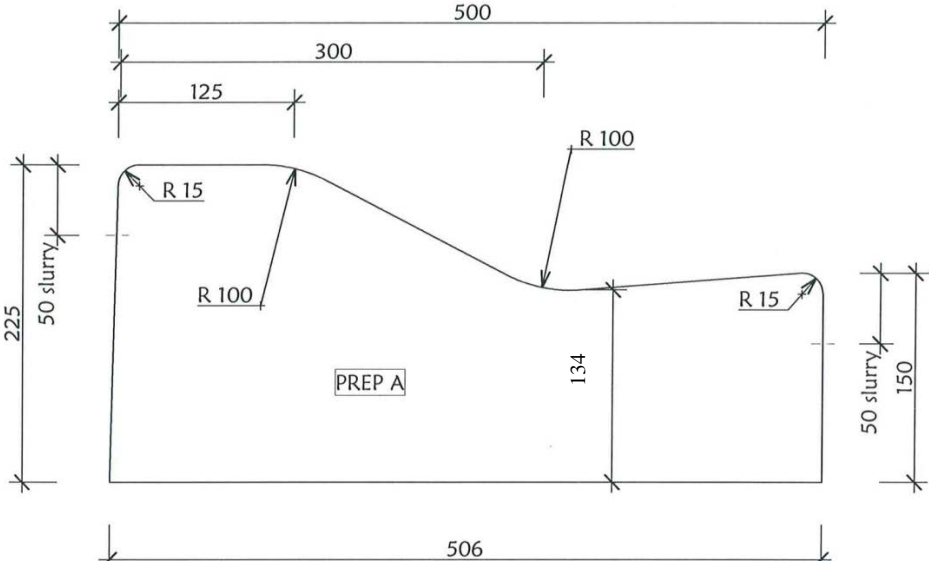
**MOUNTABLE KERB & CHANNEL – Option 2**



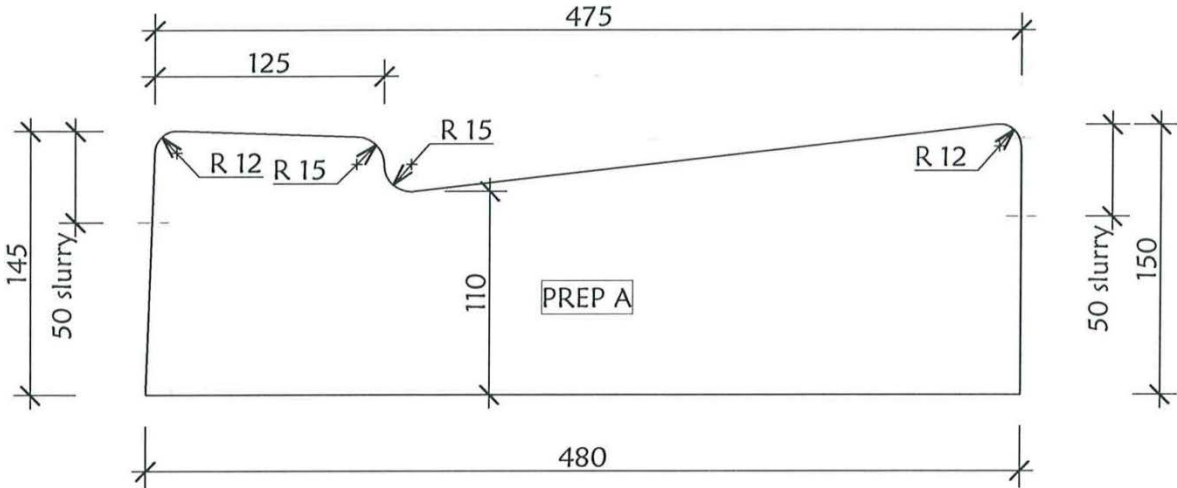
**Mid-South Canterbury Kerb & Channel**



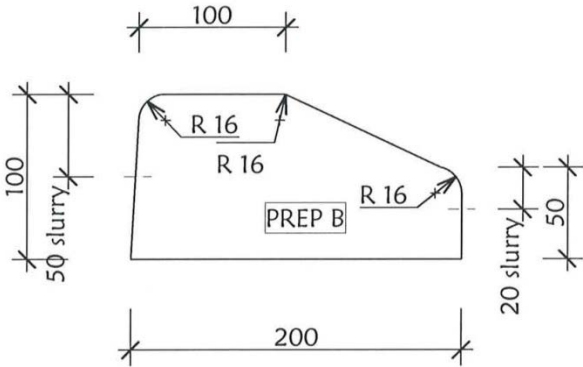
**MOUNTABLE KERB & CHANNEL - McKenzie Lifestyle Village**



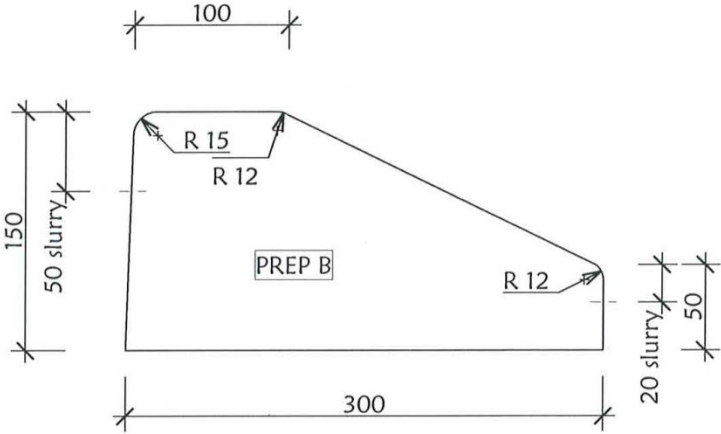
**STANDARD VEHICLE CROSSING – Type V2 – Timaru District Council**



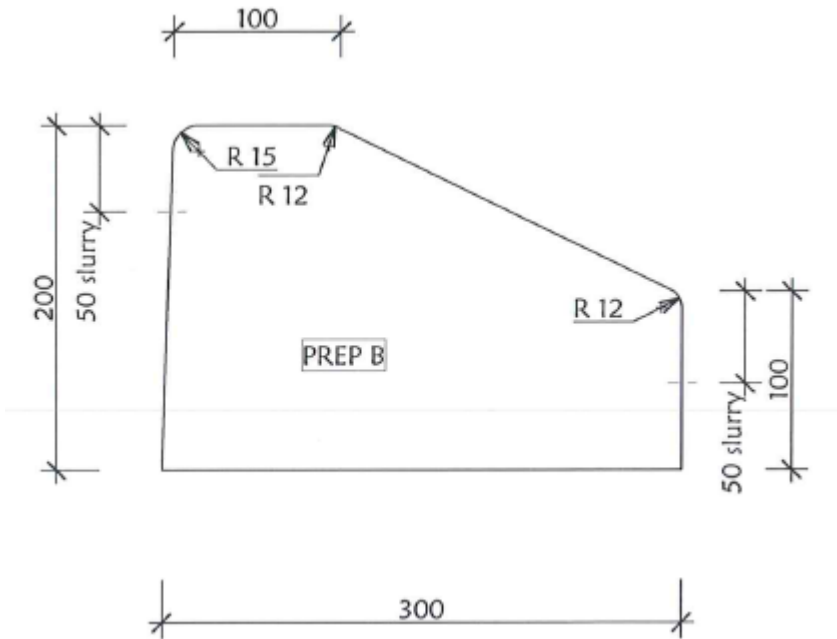
**REDUCED MOUNTABLE NIB**



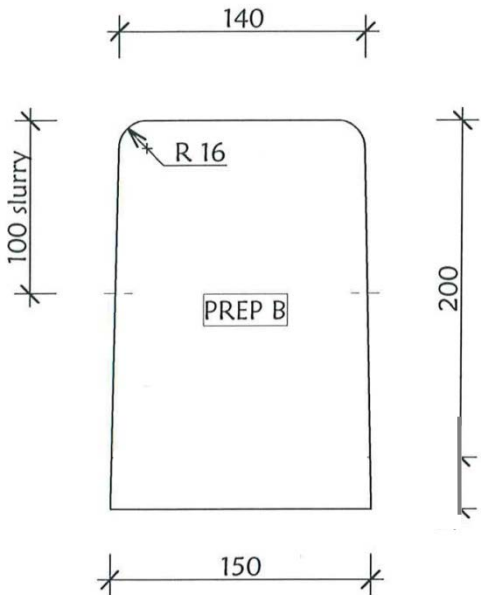
**STANDARD MOUNTABLE NIB**



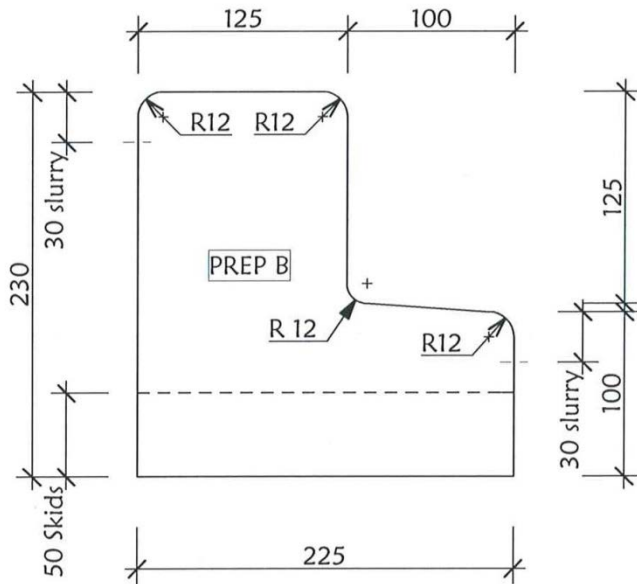
**STANDARD MOUNTABLE NIB – Option B**



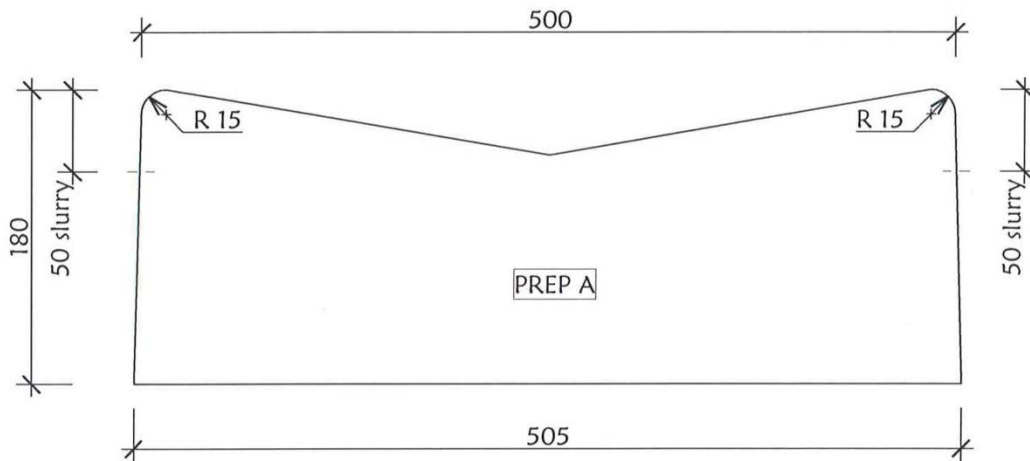
**STANDARD NIB**



**KERB AND FOOT**

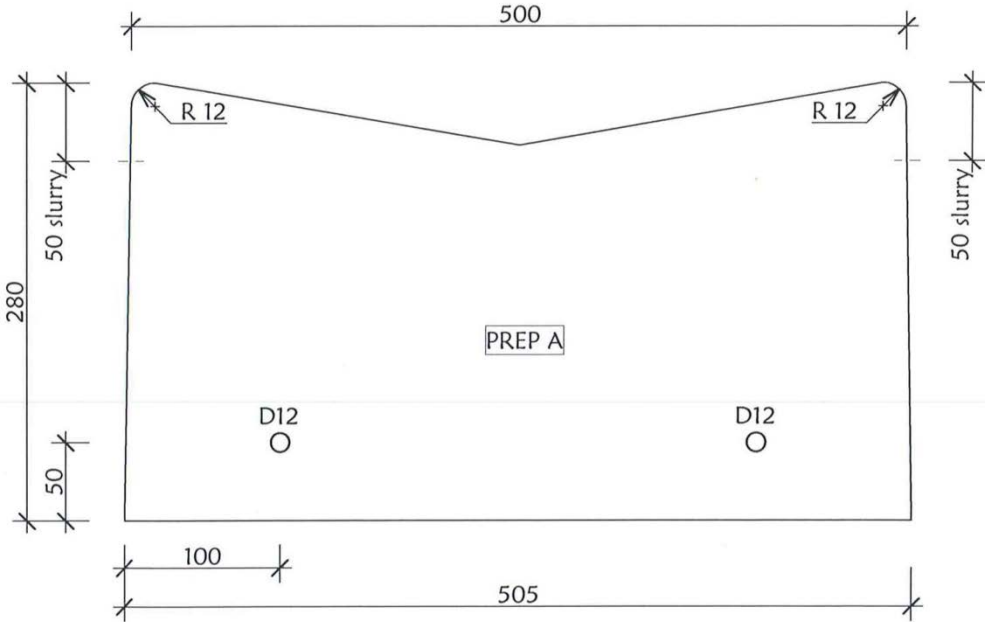


**DISH CHANNEL**

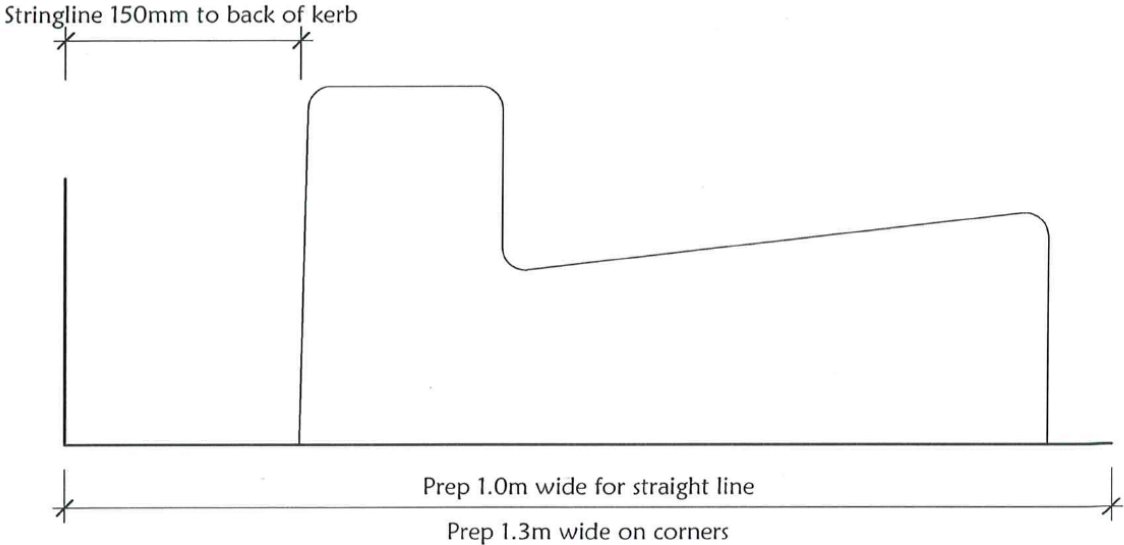




**REINFORCED DISH CHANNEL**



**PREP A**



**PREP B**

